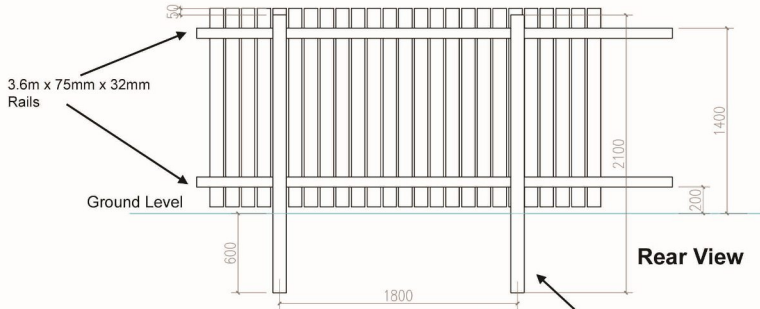
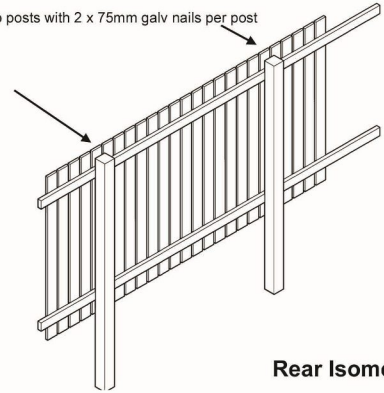


1.5 High fence with 100mm x 19mm boards

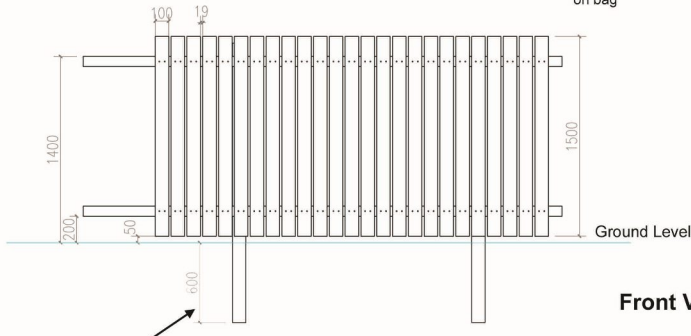


2.1m x 100mm x 100mm vertical posts to be bedded with Post crete 600mm into the ground Post crete as per manufacturers instructions on bag

Rails fixed to posts with 2 x 75mm galv nails per post

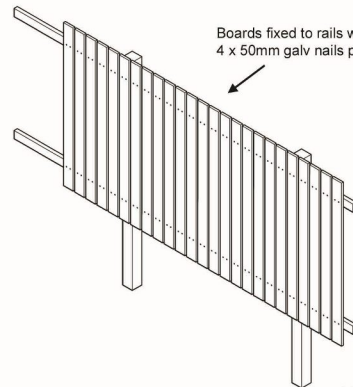


Rear Isometric



2.1m x 100mm x 100mm vertical posts to be bedded with Post crete 600mm into the ground Post crete as per manufacturers instructions on bag

Boards fixed to rails with 4 x 50mm galv nails per board



Front Isometric