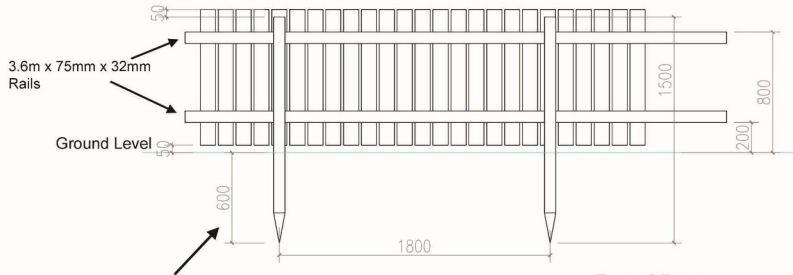


## 900mm High fence with 100mm x 19mm boards and pointed posts

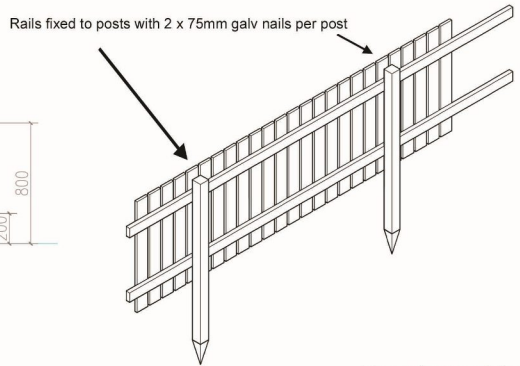


3.6m x 75mm x 32mm  
Rails

Ground Level

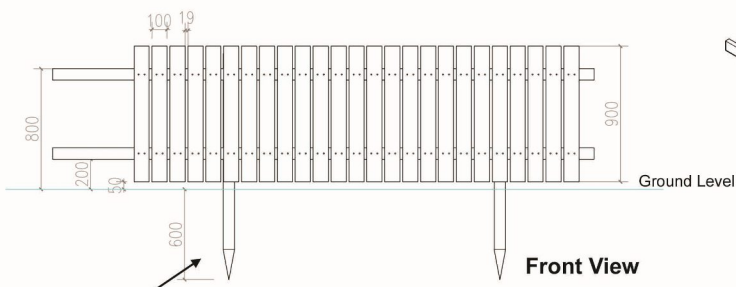
1.5m x 75mm x 75mm vertical pointed posts to be hammered 600mm into the ground

**Rear View**



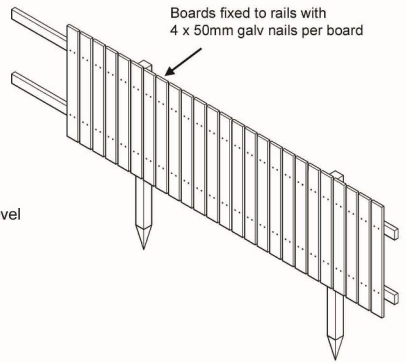
Rails fixed to posts with 2 x 75mm galv nails per post

**Rear Isometric**



1.5m x 75mm x 75mm vertical pointed posts to be hammered 600mm into the ground

**Front View**



Boards fixed to rails with 4 x 50mm galv nails per board

**Front Isometric**