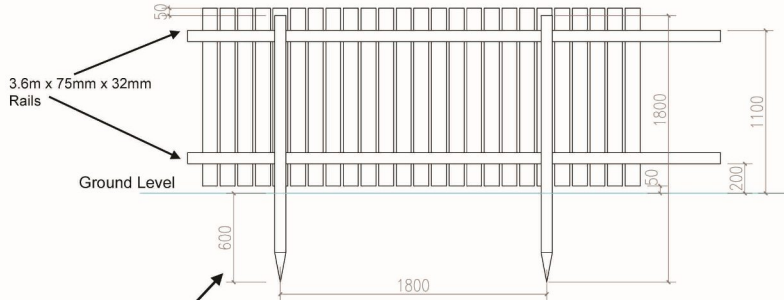


1.2 High fence with 100mm x 19mm boards and pointed posts



3.6m x 75mm x 32mm
Rails

Ground Level

600

1800

1800

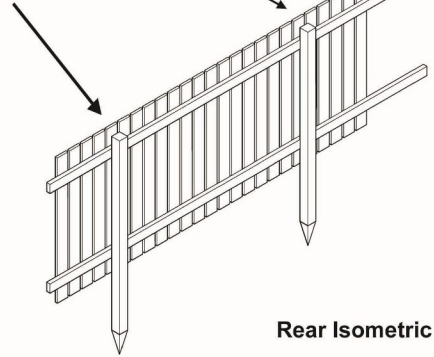
1100

200

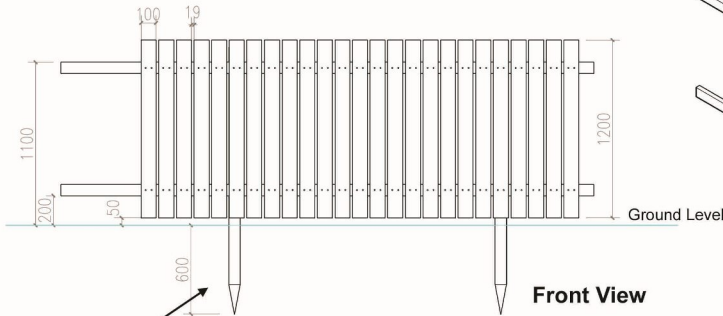
Rear View

1.8m x 75mm x 75mm vertical pointed posts to be hammered 600mm into the ground

Rails fixed to posts with 2 x 75mm galv nails per post



Rear Isometric



100

19

1100

1200

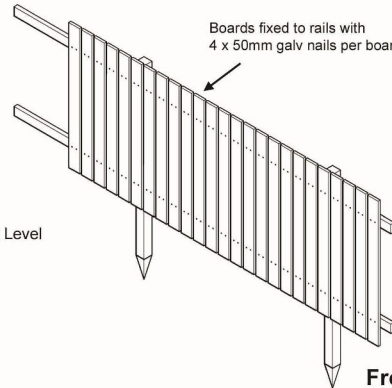
Ground Level

600

Front View

1.8m x 75mm x 75mm vertical pointed posts to be hammered 600mm into the ground

Boards fixed to rails with 4 x 50mm galv nails per board



Front Isometric